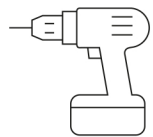
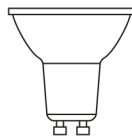


Electrician



A drill /
a screwdriver



GU10 bulb

x1



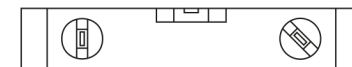
Chemical
anchor



Terminal
connector strip



Wrench 13

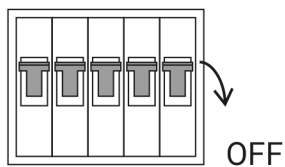


Spirit level

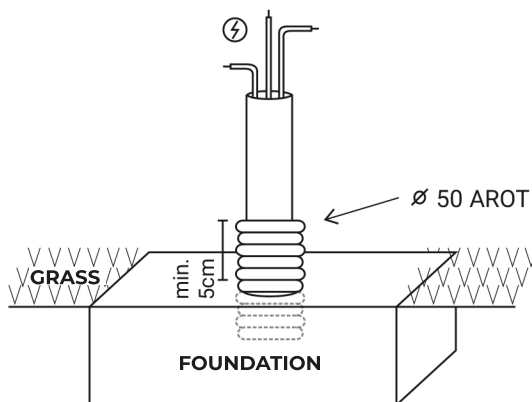


Drill ϕ 10

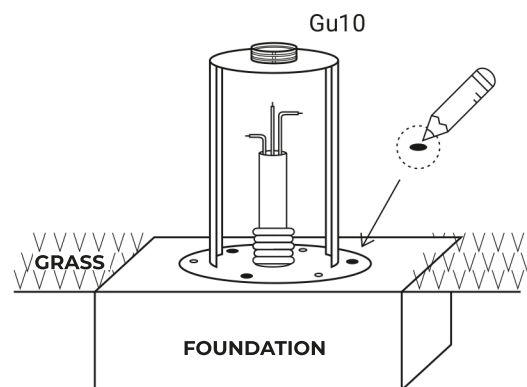
1 Turn off the power



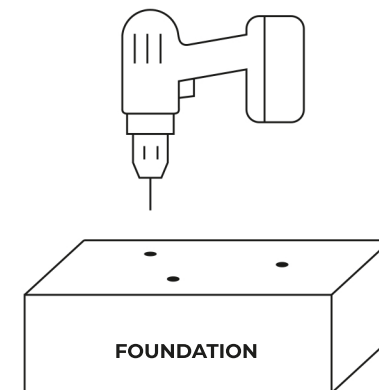
2 Prepare the foundation
and power cables



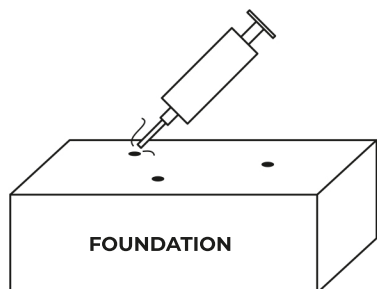
3 Mark the location of the holes



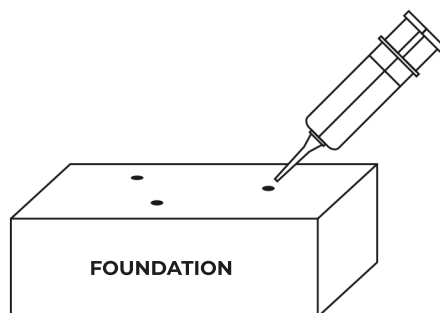
4 Drill holes



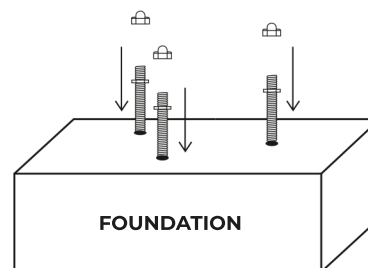
5 Clean the holes of dust
and concrete residues



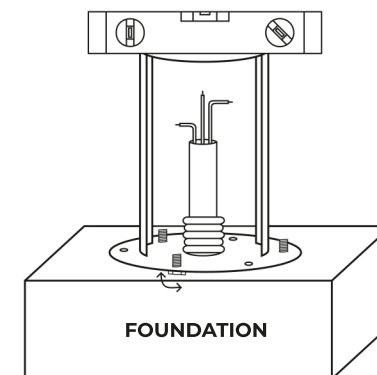
6 Apply a chemical anchor
to the cleaned holes



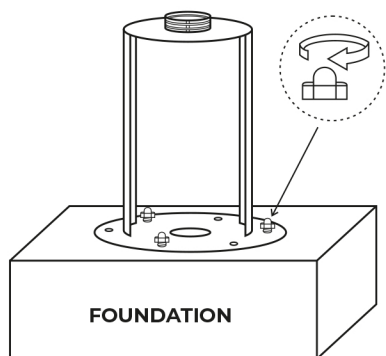
7 Insert the fixing pins into the
filled holes. Leave them visible
about 1-1.5 cm. Beveled end
of the pin to the bottom.



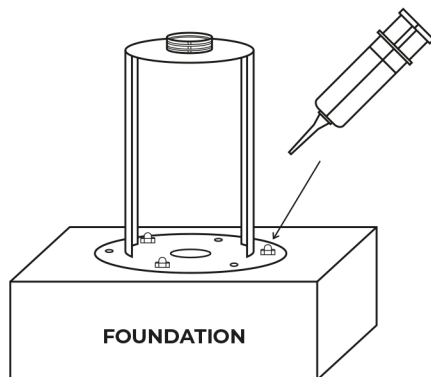
8 Level the lamp base with the
supplied nuts



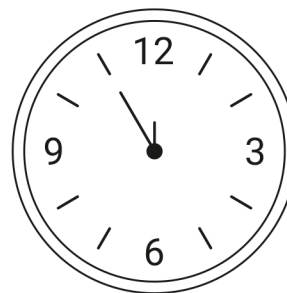
9 Screw on decorative cap nuts.



10 Fill the resulting gap between the foundation and the base of the lamp with a chemical anchor, avoiding the holes left in the base

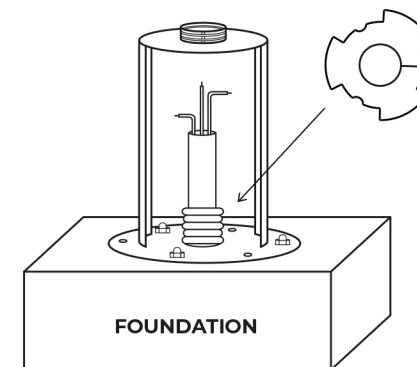


11 Leave it to dry for a few - tens of minutes.

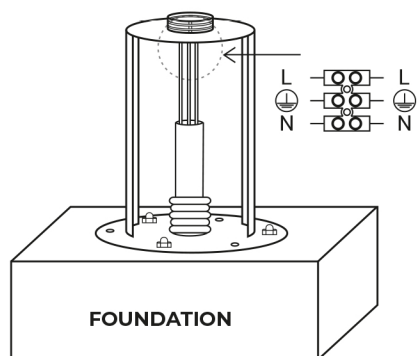


The exact drying time is indicated on the packaging with the adhesive

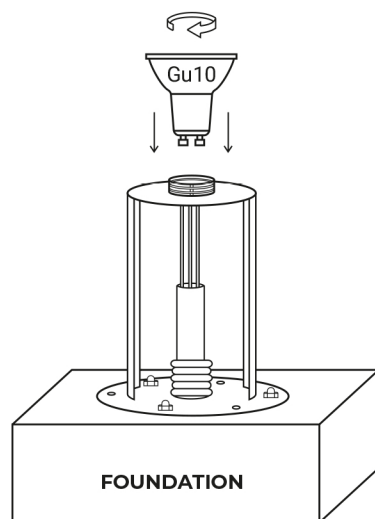
12 Place the gasket carefully



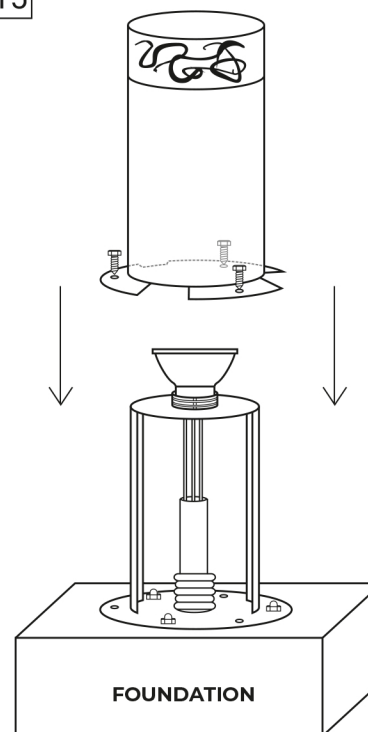
13 Connect the electric wires as marked



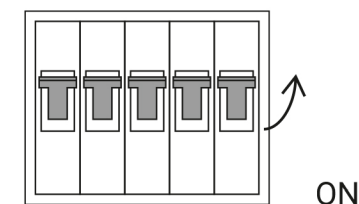
14 Attach a GU10 bulb



15



16 Turn on the power



PARUCH. DESIGN

phone: +48 888 828 338
mail: kontakt@paruch.design
www.en.paruch.design